

LumaBase® Projector Lights 1ct INSTRUCTIONS & ASSEMBLY

Dramatic lighting sets the mood for enjoyment both indoors and outdoors!
Several stars cover entire ceiling, wall, floor or house for parties and other events, creates a magical moving effect on your house without the hassle of string lights.

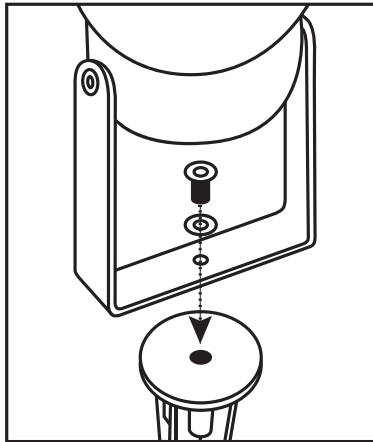
USE INSTRUCTIONS:

For outdoor use- Attach ground stake (1) Remove the hex screw and washer from the stake with the included tool. Use the same hex screw and washer to attach the stake to the projector mount bracket and stake to ground

Position the projection by loosening and tightening the angle adjustment screws.

For indoor use: Use the mount bracket to place projector in directional position by loosening and tightening the angle adjustment screws.

For best results: Place projector up to 20 feet from selected surface.

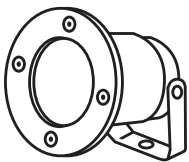


WARNING

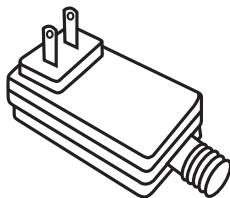
Use only supplied transformer. Plug-in to a properly grounded outlet
Do not disassemble the product by yourselves. Please return to manufacturer for repair. if there is something wrong with the quality

PACKAGE INCLUDES:

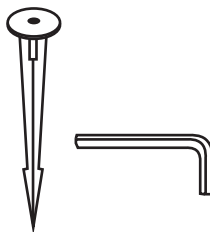
Light Projector
Power Supply Transformer
Ground Stake
Allen Wrench



Light Projector



Power Supply Transformer



Ground Stake

Allen Wrench

EASY INSTALLATION – Just plug and play, no ladders needed. Ground stake for easy positioning
Covers 400 square feet and projects up to 20 feet away. One of the fastest growing Christmas landscape lighting solutions.

Uses 75% less energy than regular string lights with low-voltage transformer

Many uses- Ideal for Holidays, Parties, Celebrations or any special occasions

Images can cover a large area including hard to reach areas which other decorative lights cannot.

PREMIUM QUALITY AND WEATHER RESISTANT – Uses LED technology found in theme parks to project breathtaking images onto any surface, Weather resistant to withstand snow, rain and intense sun. Safe, FDA-approved lights shine moving lights onto houses, lawns, patios, walls, ceilings and more.

TIPS- Use in dark environment for best results. Projecting brightness will be affected by lighting.

PRACTICAL DESIGN – Dust proof and waterproof rating of IP65 can be adapted in any weather for outdoor and indoor decorating light solution. The included Allen Wrench will help you install and adjust direction for various positions.

LOW POWER CONSUMPTION – Item uses only 12 watts with transformer for a 120 volt UL approved AC power plug
Waterproof(IP65) can be used indoor/outdoor.

FEATURES:

- Waterproof Design: Waterproof LED light is safe and easy for yard decorating.
- Instant Installation: The most convenient holiday decoration. Just plug and play, no more hanging string lights
- All year around- Spring Summer Fall Winter: The Fastest, Most Convenient way for your holiday decor, Great for Indoor and Outdoor

PRODUCT DETAILS:

- Size: 3.625" diameter x 4.75" length
- Material: Plastic
- Light Color: White
- Input Voltage: AC120V
- Output voltage: 12V/500mA
- LED light wattage: 4W
- Cord Length: 190 inches
- Waterproof Standard: IP54
- LED Life: More than 5000 hours
- UL Listed



JHSpecialties, Inc., Exton, PA 19341
www.lumabase.com Made in CHINA

CAUTION - THIS IS AN ELECTRIC PRODUCT – NOT A TOY! TO AVOID RISK OF FIRE, BURNS, PERSONAL INJURY AND ELECTRIC SHOCK IT SHOULD NOT BE PLAYED WITH OR PLACED WHERE SMALL CHILDREN CAN REACH IT.

